



**C-2000 Color Display Controls
P-2000 Dual/Master/Slave or RT-2000 Control**

PRODUCT DESCRIPTION

The Wulfsberg C-2000 is a control display unit that can be used as a slave control head with a P-2000 panel mount transceiver, or as a primary control head for the RT-2000 remote transceiver. Versions of the C-2000 include black faceplate and options for either Standard or NVG compatible displays. Input voltage is 28 volts DC and the keypad is backlit from either 28 VDC, 5 VDC or 5 VRMS.

The C-2000 Control Display Unit is designed to be mounted in the instrument panel that will fit a standard DZUS mounting. Two connectors, a DB-25 and DB-15, accept all harness wiring on the rear of the P-2000.

Front panel controls establish and display the operating status of all RT-2000 or P-2000 functions when operating as a slave control unit.

Features:

- Panel Mount
- Color Display
- C-962A Compatible
- NVG Compatible
- Slave for P-2000
- Controls the RT-2000

Tactical Communication Products: C-2000 Control Head

Specifications:

CHARACTERISTICS	DESCRIPTION
Certification	
FAA	In Process (PMA/STC Helicopter and Fixed Wing Aircraft)
Software	DO-170B Level D
Environmental	DO-160D [(B4/F1)X]BAB[S(CL)]EXXXXXZZBZZ[RR]MXXXXA
FCC	Part 15
Industry Canada	Complete
Altitude	55,000 feet ASL (16,764 meters)
Temperature Range	
Operation	-22°F to +140°F (-30°C to 60°C)
Storage	-67°F to +185°F (-55°C to 85°C)
Cooling	Internal Electric Fan
Weight	2.3 lbs. Max. (1.04 kg)
Mounting	Dzus
Overall Dimensions	
Height	3.0 Inches max. (76.2 mm)
Width	5.75 inches max. (146.05 mm)
Depth	6.60 inches max. (167.64 mm) (without Mating Connectors)
Input Power Requirements	
Normal Voltage Range	22.0 to 30.3 VDC
Abnormal Voltage Range	20.5 to 32.2 VDC
Emergency Operation	Not Supported
Input Current	0.75 Amp nominal. 1.2 Amp Max
Panel Lighting	5 VDC, 5 Vrms and 28 VDC (Voltage Sense Only)
Faceplate Colors	Black or Gray
Display Options	LCD Color or LCD Color with NVG compatibility
Channel Memory	240/255/510 Depending on options
Data Bus	CAN Serial with Wulfsberg Proprietary Protocol

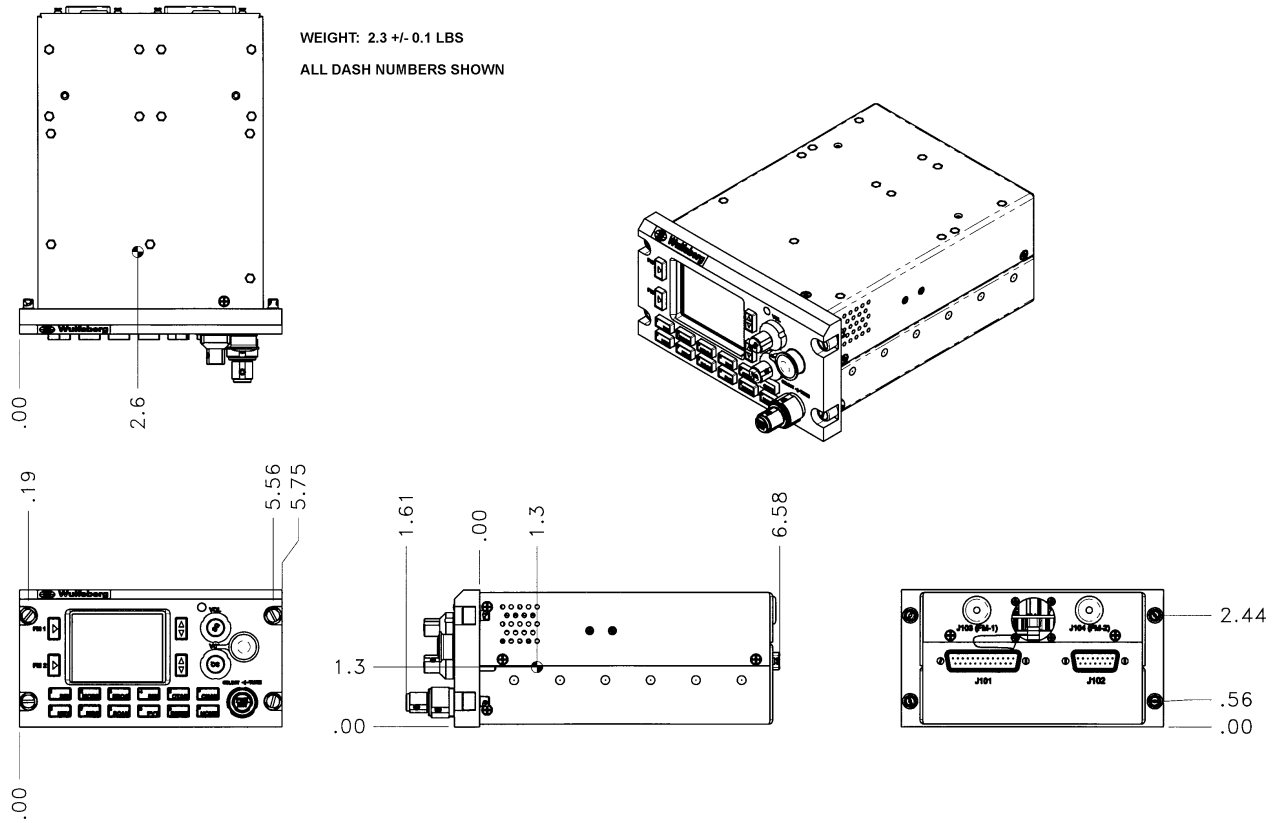
C-2000 Part Number Matrix

400-049300-AB-CDE

- A: Major Hardware Version**
1 = Initial Release
- B: Major Software Version**
1 = Initial Release*
- C: Reserved for future use (Always marked "0")**
- D: Faceplate Option**
1 = Black Face Plate
2 = Gray Face Plate
- E: Display Option**
1 = Standard Display
2 = NVG Compatible Display

Configuration Variations	DESCRIPTION
400-049300-11-011	C-2000, Blk, Standard Display
400-049300-11-012	C-2000, Blk, NVG Display

Tactical Communication Products: C-2000 Control Head



**Figure 20. C-2000 Outline Drawing
Portions of Dwg No. 154-049300**