

Tactical Communication Products: P-2000 Transceiver System



**P-2000 Panel Mounted, Color Display, Transceiver
Single or Dual, Analog/Digital, P-25 Transceivers
VHF-Hi, UHF, 800, 700/800 MHz bands**

PRODUCT DESCRIPTION

The newest member of the Flexcomm family – the new P-2000 digital/analog tactical FM radio – was designed to provide maximum communications capability for aircraft with limited space. In addition to the efficient panel-mounted design, the multi-band P-2000 features a brilliant color LCD display that highlights critical information in an easy to read format.

The P-2000 delivers P-25 functionality and interoperability on one or two public service bands, yet its small Dzus rail footprint belies its robust performance on the VHF, UHF and 800 MHz bands. The system also provides maximum flexibility for those applications requiring separate crew and/or pilot radio control.

It's a focused and versatile solution for those who communicate on the tactical environment, and the P-2000 is ideal for airborne law enforcement, air medical rescue, homeland defense and other public service operators.

Features

Panel Mount – Single or Dual Band
Color Display
AES/DES-XL/DES-OFB Encryption
Options 240/255/512 Preset Channels
NVG Compatible
P-25 and Motorola Trunking,
Embedded Simulcast & Relay functionality
Maximum Transmit Range with 10 Watt VHF & UHF Transmit Power

NTIA Compliant
C-962A Compatible
VHF, UHF & 800 MHz

Tactical Communication Products: P-2000 Transceiver System

Specifications

CHARACTERISTICS	DESCRIPTION
Certification	
FAA	In Process (PMA/STC Helicopter and Fixed Wing Aircraft)
Software	DO-170B Level D
Environmental	DO-160D
FCC	FRW-2000-(VHF,UHF-1,UHF-2, 800)
Industry Canada	Complete
Emission Designator	
156 – 158 MHz	Part 80.379, 87.187(I), 16K0F3E
137 – 174 MHz	Part 90.210, 16K0F3E, 11K0F3E, 8K10F1E, 8K0F1D
403 – 520 MHz	Part 90.210, 16K0F3E, 11K0F3E
806 – 870 MHz	Part 90, 16K0F3E, 11K0F3E, 8K10F1E, 8K0F1D
Altitude	55,000 feet ASL (16,764 meters)
Temperature Range	
Operation	-22°F to +140°F (-30°C to 60°C)
Storage	-67°F to +185°F (-55°C to 85°C)
Cooling	Internal Electric Fan
Weight	
P-2000 (Single Transceiver)	3.10 lbs. Max. (1.4 kg)
P-2000 (Dual Transceiver)	3.70 lbs. Max. (1.68 kg)
Mounting	Dzus
Height	3.0 Inches max. (76.2 mm)
Width	5.75 inches max. (146.05 mm)
Depth	7.1 Inches max. (180.34 mm) (Not Including Mating Connectors)
Input Power Requirements	
Normal Voltage Range	22.0 to 30.3 VDC
Abnormal Voltage Range	20.5 to 32.2 VDC
Emergency Operation	Not Supported
P-2000 (Single Transceiver)	
Receive	0.75 Amp Nominal. 1.20 Amp Max
Transmit	2.50 Amp Nominal. 3.00 Amp Max.
P-2000 (Dual Transceiver)	
Receive	0.75 Amp nominal. 1.20 Amp Max
Transmit	3.50 Amp nominal. 4.00 Amp Max.
P-2000 Panel Lighting	5 VDC, 5 Vrms and 28 VDC (Voltage Sense Only)
Faceplate Colors	Black or Gray
Channel Memory	240/255/512 Depending on options
Frequency Band P-2000/RT-2000	Any combination of one or two bands listed below
	137-174 MHz
	403-470 MHz, 380-470 MHz
	450-520 MHz
	806-870 MHz, 764-870MHz
Channel Spacing	12.5 kHz, 20 kHz, 25 kHz

Tactical Communication Products: P-2000 Transceiver System

CHARACTERISTICS	DESCRIPTION
Receiver Specifications	
Modes	FM, P-25, P-25 Trunking, Motorola 3600 Baud Trunking
Sensitivity	
Analog (12 dB SINAD) (*)	Better than .4 uV (-115 dBm)
Digital (5% BER) (*)	Better than .4 uV (-115 dBm)
Quieting	
Analog (20 dB SINAD)	.6 uV (-111.5 dBm)
Digital	Not Applicable
Selectivity	
Analog (12.5 kHz)	-65 dB (NTIA Version: -70 dB)
Analog (25.0 kHz)	-70 dB (NTIA Version: -80 dB)
Intermod Rejection	
Analog (12.5)	-70 dB
Analog (25.0)	-70 dB
Spurious Rejection	
Analog (12.5 kHz)	-65 dB (NTIA Version: -70 dB)
Analog (25.0 kHz)	-70 dB (NTIA Version: -85 dB)
Digital (5% BER)	-70 dB (NTIA Version: -85 dB)
Unwanted Emissions	
Narrow Band	-60 dBm
Wide Band	-60 dBm
Audio Output	
Headset Out	100 mW into 600 ohms
Normalized Out	>1.0 VRMS into 10k Load
External Speaker Out	>1.0 VRMS into 10k Load
Audio Distortion	< 5% at Maximum Audio Output
Hum and Noise	
Unsquelled	<-35 dB
Squelled	<-60 dB
Transmitter Specifications	
Duty Cycle	25% at Full Power
RF Power Output (#)	10 Watt Hi, 1 Watt Lo (2.75/1 Watt 800 MHz Band)
Frequency Stability	± 1.5 PPM
Modulation Limiting:	
12.5 kHz Channels	±2.5 kHz
20.0 kHz Channels	±4.0 kHz
25.0 kHz Channels	+5.0 kHz
Unwanted Emissions	< -70 dBc (-70 dBc Harmonics, -85 dBc Spurious)
Hum and Noise	
Narrow Band	-35 dB
Wide Band	-40 dB
Audio Response	
Dual Microphone	.25 VMRS into 150 ohm Carbon/Carbon Equivalent
Transmit Distortion	< 5%
Sidetone Fidelity	6 dB max variation, 350 Hz to 2500 Hz
Sidetone Output	Adjustable 3dB below rated audio output

Tactical Communication Products: P-2000 Transceiver System

P-2000 Part Number Matrix

400-049200-AB-CDE-WWWW-XXXX

- A: Major Hardware Variation**
1 = Initial Release
- B: Major Software Variation**
1 = Initial Release*
- C: Reserved for future use (Always marked "0")**
- D: Faceplate Option**
1 = Black Face Plate
2 = Gray Face Plate
- E: Display Option**
1 = Standard Display
2 = NVG Compatible Display

WWWW:

FM1 Options

W W W W

- | | | | | |
|--|--|--|--|--|
| | | | | -----Encryption |
| | | | | ---Trunking |
| | | | | 0 = None (Conventional Only) |
| | | | | 1 = Motorola Smartnet (3600 Baud) |
| | | | | 2 = Motorola SmartZone (3600 Baud) |
| | | | | 3 = P25 (3600 & 9600 Baud) |
| | | | | 0 = None |
| | | | | 1 = Multikey, DES/DES-XL/DES-OFB, OTAR |
| | | | | 2 = DVP-XL |
| | | | | 3 = DVI-XL |
| | | | | 4 = Multikey, AES, OTAR |
| | | | | 5 = Multikey, AES/DES/DES-XL/DES-OFB, OTAR |
| | | | | 6 = Multikey, DES/DES-XL/DES-OFB |
| | | | | 0 = None |
| | | | | 1 = 137 - 174 MHz |
| | | | | 2 = 403 - 470 MHz |
| | | | | 3 = 450 - 520 MHz |
| | | | | 4 = 806 - 870 MHz |
| | | | | 5 = 380 - 470 MHz |
| | | | | 6 = 764 - 870 MHz |
| | | | | 0 = 255 Channels |
| | | | | 1 = 240 Channels, Front Panel Programmable (FPP) |
| | | | | 2 = 512 Channels |

XXXX:

FM2 Options

X X X X

- | | | | | |
|--|--|--|--|--|
| | | | | -----Encryption |
| | | | | ---Trunking |
| | | | | 0 = None (Conventional Only) |
| | | | | 1 = Motorola Smartnet (3600 Baud) |
| | | | | 2 = Motorola SmartZone (3600 Baud) |
| | | | | 3 = P25 (3600 & 9600 Baud) |
| | | | | 0 = None |
| | | | | 1 = Multikey, DES/DES-XL/DES-OFB, OTAR |
| | | | | 2 = DVP-XL |
| | | | | 3 = DVI-XL |
| | | | | 4 = Multikey, AES, OTAR |
| | | | | 5 = Multikey, AES/DES/DES-XL/DES-OFB, OTAR |
| | | | | 6 = Multikey, DES/DES-XL/DES-OFB |
| | | | | 0 = None |
| | | | | 1 = 137 - 174 MHz |
| | | | | 2 = 403 - 470 MHz |
| | | | | 3 = 450 - 520 MHz |
| | | | | 4 = 806 - 870 MHz |
| | | | | 5 = 380 - 470 MHz |
| | | | | 6 = 764 - 870 MHz |
| | | | | 0 = 255 Channels |
| | | | | 1 = 240 Channels, Front Panel Programmable (FPP) |
| | | | | 2 = 512 Channels |

Tactical Communication Products: P-2000 Panel Mounted Transceiver Systems

Configuration Variations	Description
400-049200-11-011-1100-0000	P-2000 Single Transceiver, Black, Std Display, FM1: VHF (137-174 MHz), Analog & P-25 CAI, Conventional Front Panel Programmable, 240 Channel
400-049200-11-012-1100-0000	P-2000 Single Transceiver, Black, NVG Display, FM1: VHF (137-174 MHz), Analog & P-25 CAI, Conventional Front Panel Programmable, 240 Channel
400-049200-11-011-1105-0000	P-2000 Single Transceiver, Black, Std Display, FM1: VHF (137-174 MHz), Analog & P-25 CAI, Conventional Front Panel Programmable, 240 Channel Multikey Encryption (AES/DES/DES-XL/DES-OFB), OTAR
400-049200-11-012-1105-0000	P-2000 Single Transceiver, Black, NVG Display, FM1: VHF (137-174 MHz), Analog & P-25 CAI, Conventional Front Panel Programmable, 240 Channel Multikey Encryption (AES/DES/DES-XL/DES-OFB), OTAR
400-049200-11-011-1300-0000	P-2000 Single Transceiver, Black, Std Display, FM1: UHF (450-520 MHz), Analog & P-25 CAI, Conventional Front Panel Programmable, 240 Channel
400-049200-11-012-1300-0000	P-2000 Single Transceiver, Black, NVG Display, FM1: UHF (450-520 MHz), Analog & P-25 CAI, Conventional Front Panel Programmable, 240 Channel
400-049200-11-011-1305-0000	P-2000 Single Transceiver, Black, Std Display, FM1: UHF (450-520 MHz), Analog & P-25 CAI, Conventional Front Panel Programmable, 240 Channel Multikey Encryption (AES/DES/DES-XL/DES-OFB), OTAR
400-049200-11-012-1305-0000	P-2000 Single Transceiver, Black, NVG Display, FM1: UHF (450-520 MHz), Analog & P-25 CAI, Conventional Front Panel Programmable, 240 Channel Multikey Encryption (AES/DES/DES-XL/DES-OFB), OTAR
400-049200-11-011-1500-0000	P-2000 Single Transceiver, Black, Std Display FM1: UHF (380-470 MHz), Analog & P-25 CAI, Conventional Front Panel Programmable, 240 Channel
400-049200-11-012-1500-0000	P-2000 Single Transceiver, Black, NVG Display, FM1: UHF (380-470 MHz), Analog & P-25 CAI, Conventional Front Panel Programmable, 240 Channel
400-049200-11-011-1505-0000	P-2000 Single Transceiver, Black, Std Display, FM1: UHF (380-470 MHz), Analog & P-25 CAI, Conventional Front Panel Programmable, 240 Channel Multikey Encryption (AES/DES/DES-XL/DES-OFB), OTAR
400-049200-11-012-1505-0000	P-2000 Single Transceiver, Black, NVG Display, FM1: UHF (380-470 MHz), Analog & P-25 CAI, Conventional Front Panel Programmable, 240 Channel Multikey Encryption (AES/DES/DES-XL/DES-OFB), OTAR
400-049200-11-011-2130-0000	P-2000 Single Transceiver, Black, Std Display, FM1: VHF (137-174 MHz), Analog & P-25 CAI, 512 Channel Trunking: SmartZone/Omnalink (3600 & 9600 Baud Cntrl Chan)
400-049200-11-012-2130-0000	P-2000 Single Transceiver, Black, NVG Display, FM1: VHF (137-174 MHz), Analog & P-25 CAI, 512 Channel Trunking: SmartZone/Omnalink (3600 & 9600 Baud Cntrl Chan)
400-049200-11-011-2135-0000	P-2000 Single Transceiver, Black, Std Display, FM1: VHF (137-174 MHz), Analog & P-25 CAI, 512 Channel Trunking: SmartZone/Omnalink (3600 & 9600 Baud Cntrl Chan) Multikey Encryption (AES/DES/DES-XL/DES-OFB), OTAR
400-049200-11-012-2135-0000	P-2000 Single Transceiver, Black, NVG Display, FM1: VHF (137-174 MHz), Analog & P-25 CAI, 512 Channel Trunking: SmartZone/Omnalink (3600 & 9600 Baud Cntrl Chan) Multikey Encryption (AES/DES/DES-XL/DES-OFB), OTAR
400-049200-11-011-2330-0000	P-2000 Single Transceiver, Black, Std Display, FM1: UHF (450-520 MHz), Analog & P-25 CAI, 512 Channel Trunking: SmartZone/Omnalink (3600 & 9600 Baud Cntrl Chan)
400-049200-11-012-2330-0000	P-2000 Single Transceiver, Black, NVG Display, FM1: UHF (450-520 MHz), Analog & P-25 CAI, 512 Channel Trunking: SmartZone/Omnalink (3600 & 9600 Baud Cntrl Chan)

Tactical Communication Products:

P-2000 Panel Mounted Transceiver Systems

Configuration Variations	Description
400-049200-11-011-2335-0000	P-2000 Single Transceiver, Black, Std Display, FM1: UHF (450-520 MHz), Analog & P-25 CAI, 512 Channel Trunking: SmartZone/Omnalink (3600 & 9600 Baud Cntrl Chan) Multikey Encryption (AES/ DES/DES-XL/DES-OFB), OTAR
400-049200-11-012-2335-0000	P-2000 Single Transceiver, Black, NVG Display, FM1: UHF (450-520 MHz), Analog & P-25 CAI, 512 Channel Trunking: SmartZone/Omnalink (3600 & 9600 Baud Cntrl Chan) Multikey Encryption (AES/ DES/DES-XL/DES-OFB), OTAR
400-049200-11-011-2530-0000	P-2000 Single Transceiver, Black, Std Display, FM1: UHF (380-470 MHz), Analog & P-25 CAI, 512 Channel Trunking: SmartZone/Omnalink (3600 & 9600 Baud Cntrl Chan)
400-049200-11-012-2530-0000	P-2000 Single Transceiver, Black, NVG Display, FM1: UHF (380-470 MHz), Analog & P-25 CAI, 512 Channel Trunking: SmartZone/Omnalink (3600 & 9600 Baud Cntrl Chan)
400-049200-11-011-2535-0000	P-2000 Single Transceiver, Black, Std Display, FM1: UHF (380-470 MHz), Analog & P-25 CAI, 512 Channel Trunking: SmartZone/Omnalink (3600 & 9600 Baud Cntrl Chan) Multikey Encryption (AES/ DES/DES-XL/DES-OFB), OTAR
400-049200-11-012-2535-0000	P-2000 Single Transceiver, Black, NVG Display, FM1: UHF (380-470 MHz), Analog & P-25 CAI, 512 Channel Trunking: SmartZone/Omnalink (3600 & 9600 Baud Cntrl Chan) Multikey Encryption (AES/ DES/DES-XL/DES-OFB), OTAR
400-049200-11-011-2630-0000	P-2000 Single Transceiver, Black, Std Display, FM1: UHF (764-870 MHz), Analog & P-25 CAI, 512 Channel Trunking: SmartZone/Omnalink (3600 & 9600 Baud Cntrl Chan)
400-049200-11-012-2630-0000	P-2000 Single Transceiver, Black, NVG Display, FM1: UHF (764-870 MHz), Analog & P-25 CAI, 512 Channel Trunking: SmartZone/Omnalink (3600 & 9600 Baud Cntrl Chan)
400-049200-11-011-2635-0000	P-2000 Single Transceiver, Black, Std Display, FM1: UHF (764-870 MHz), Analog & P-25 CAI, 512 Channel Trunking: SmartZone/Omnalink (3600 & 9600 Baud Cntrl Chan) Multikey Encryption (AES/ DES/DES-XL/DES-OFB), OTAR
400-049200-11-012-2635-0000	P-2000 Single Transceiver, Black, NVG Display, FM1: UHF (764-870 MHz), Analog & P-25 CAI, 512 Channel Trunking: SmartZone/Omnalink (3600 & 9600 Baud Cntrl Chan) Multikey Encryption (AES/ DES/DES-XL/DES-OFB), OTAR
400-049200-11-011-1100-1100	P-2000 Single Transceiver, Blk, Std Display, FM1: VHF (137-174 MHz), Analog & P-25 CAI, Conventional Front Panel Programmable,240 Channel FM2: VHF (137-174 MHz), Analog & P-25 CAI, Conventional Front Panel Programmable,240 Channel
400-049200-11-012-1100-1100	P-2000 Single Transceiver, Blk, NVG Display, FM1: VHF (137-174 MHz), Analog & P-25 CAI, Conventional Front Panel Programmable,240 Channel FM2: VHF (137-174 MHz), Analog & P-25 CAI, Conventional Front Panel Programmable
400-049200-11-011-1105-1105	P-2000 Dual Transceiver, Blk, Std Display FM1: VHF (137-174 MHz), Analog & P-25 CAI, Conventional Front Panel Programmable,240 Channel Multikey Encryption (AES/DES/DES-XL/DES-OFB), OTAR FM2: VHF (137-174 MHz), Analog & P-25 CAI, Conventional Front Panel Programmable,240 Channel Multikey Encryption (AES/DES/DES-XL/DES-OFB), OTAR
400-049200-11-012-1105-1105	P-2000 Dual Transceiver, Blk, NVG Display FM1: VHF (137-174 MHz), Analog & P-25 CAI, Conventional Front Panel Programmable,240 Channel Multikey Encryption (AES/DES/DES-XL/DES-OFB), OTAR FM2: VHF (137-174 MHz), Analog & P-25 CAI, Conventional Front Panel Programmable,240 Channel Multikey Encryption (AES/DES/DES-XL/DES-OFB), OTAR
400-049200-11-011-1100-1300	P-2000 Single Transceiver, Blk, Std Display, FM1: VHF (137-174 MHz), Analog & P-25 CAI, Conventional Front Panel Programmable, 240 Channel FM2: VHF (450-520 MHz), Analog & P-25 CAI, Conventional Front Panel Programmable, 240 Channel

Tactical Communication Products: P-2000 Panel Mounted Transceiver Systems

Configuration Variations	Description
400-049200-11-012-1100-1300	P-2000 Single Transceiver, Blk, NVG Display, FM1: VHF (137-174 MHz), Analog & P-25 CAI, Conventional Front Panel Programmable, 240 Channel FM2: VHF (450-520 MHz), Analog & P-25 CAI, Conventional Front Panel Programmable, 240 Channel
400-049200-11-011-1105-1305	P-2000 Dual Transceiver, Blk, Std Display FM1: VHF (137-174 MHz), P-25 CAI, Conventional Front Panel Programmable,240 Channel Multikey Encryption (AES/ DES/DES-XL/DES-OFB), OTAR FM2: VHF (450-520 MHz), P-25 CAI, Conventional Front Panel Programmable,240 Channel Multikey Encryption (AES/ DES/DES-XL/DES-OFB), OTAR
400-049200-11-012-1105-1305	P-2000 Dual Transceiver, Blk, NVG Display FM1: VHF (137-174 MHz), P-25 CAI, Conventional Front Panel Programmable,240 Channel Multikey Encryption (AES/ DES/DES-XL/DES-OFB), OTAR FM2: VHF (450-520 MHz), P-25 CAI, Conventional Front Panel Programmable,240 Channel Multikey Encryption (AES/ DES/DES-XL/DES-OFB), OTAR
400-049200-11-011-1100-2630	P-2000 Single Transceiver, Blk, Std Display, FM1: VHF (137-174 MHz), Analog & P-25 CAI, Conventional Front Panel Programmable, 240 Channel FM2: VHF (764-870 MHz), Analog & P-25 CAI, 512 Channel Trunking: SmartZone/Omnalink (3600 & 9600 Baud Cntrl Chan)
400-049200-11-012-1100-2630	P-2000 Single Transceiver, Blk, NVG Display, FM1: VHF (137-174 MHz), Analog & P-25 CAI, Conventional Front Panel Programmable, 240 Channel FM2: VHF (764-870 MHz), Analog & P-25 CAI, 512 Channel Trunking: SmartZone/Omnalink (3600 & 9600 Baud Cntrl Chan)
400-049200-11-011-1105-2635	P-2000 Single Transceiver, Blk, Std Display, FM1: VHF (137-174 MHz), Analog & P-25 CAI, Conventional Front Panel Programmable, 240 Channel Multikey Encryption (AES/ DES/DES-XL/DES-OFB), OTAR FM2: VHF (764-870 MHz), Analog & P-25 CAI,512 Channel Trunking: SmartZone/Omnalink (3600 & 9600 Baud Cntrl Chan) Multikey Encryption (AES/ DES/DES-XL/DES-OFB), OTAR
400-049200-11-012-1105-2635	P-2000 Single Transceiver, Blk, NVG Display, FM1: VHF (137-174 MHz), Analog & P-25 CAI, Conventional Front Panel Programmable, 240 Channel Multikey Encryption (AES/ DES/DES-XL/DES-OFB), OTAR FM2: VHF (764-870 MHz), Analog & P-25 CAI,512 Channel Trunking: SmartZone/Omnalink (3600 & 9600 Baud Cntrl Chan) Multikey Encryption (AES/ DES/DES-XL/DES-OFB), OTAR
400-049200-11-011-2135-2135	P-2000 Single Transceiver, Blk, Std Display, FM1: VHF (137-174 MHz), Analog & P-25 CAI, 512 Channel Trunking: SmartZone/Omnalink (3600 & 9600 Baud Cntrl Chan) Multikey Encryption (AES/ DES/DES-XL/DES-OFB), OTAR FM2: VHF (137-164 MHz), Analog & P-25 CAI,512 Channel Trunking: SmartZone/Omnalink (3600 & 9600 Baud Cntrl Chan) Multikey Encryption (AES/ DES/DES-XL/DES-OFB), OTAR
400-049200-11-012-2135-2135	P-2000 Single Transceiver, Blk, NVG Display, FM1: VHF (137-174 MHz), Analog & P-25 CAI, 512 Channel Trunking: SmartZone/Omnalink (3600 & 9600 Baud Cntrl Chan) Multikey Encryption (AES/ DES/DES-XL/DES-OFB), OTAR FM2: VHF (137-164 MHz), Analog & P-25 CAI,512 Channel Trunking: SmartZone/Omnalink (3600 & 9600 Baud Cntrl Chan) Multikey Encryption (AES/ DES/DES-XL/DES-OFB), OTAR
400-049200-11-011-2135-2335	P-2000 Single Transceiver, Blk, Std Display, FM1: VHF (137-174 MHz), Analog & P-25 CAI, 512 Channel Trunking: SmartZone/Omnalink (3600 & 9600 Baud Cntrl Chan) Multikey Encryption (AES/ DES/DES-XL/DES-OFB), OTAR FM2: UHF (450-520 MHz), Analog & P-25 CAI,512 Channel Trunking: SmartZone/Omnalink (3600 & 9600 Baud Cntrl Chan) Multikey Encryption (AES/ DES/DES-XL/DES-OFB), OTAR

Tactical Communication Products: P-2000 Panel Mounted Transceiver System

Configuration Variations	Description
400-049200-11-012-2135-2335	P-2000 Single Transceiver, Blk, NVG Display, FM1: VHF (137-174 MHz), Analog & P-25 CAI, 512 Channel Trunking: SmartZone/Omnalink (3600 & 9600 Baud Cntrl Chan) Multikey Encryption (AES/ DES/DES-XL/DES-OFB), OTAR FM2: UHF (450-520 MHz), Analog & P-25 CAI,512 Channel Trunking: SmartZone/Omnalink (3600 & 9600 Baud Cntrl Chan) Multikey Encryption (AES/ DES/DES-XL/DES-OFB), OTAR
400-049200-11-011-2135-2535	P-2000 Single Transceiver, Blk, Std Display, FM1: VHF (137-174 MHz), Analog & P-25 CAI, 512 Channel Trunking: SmartZone/Omnalink (3600 & 9600 Baud Cntrl Chan) Multikey Encryption (AES/ DES/DES-XL/DES-OFB), OTAR FM2: UHF (380-470 MHz), Analog & P-25 CAI,512 Channel Trunking: SmartZone/Omnalink (3600 & 9600 Baud Cntrl Chan) Multikey Encryption (AES/ DES/DES-XL/DES-OFB), OTAR
400-049200-11-012-2135-2535	P-2000 Single Transceiver, Blk, NVG Display, FM1: VHF (137-174 MHz), Analog & P-25 CAI, 512 Channel Trunking: SmartZone/Omnalink (3600 & 9600 Baud Cntrl Chan) Multikey Encryption (AES/ DES/DES-XL/DES-OFB), OTAR FM2: UHF (380-470 MHz), Analog & P-25 CAI,512 Channel Trunking: SmartZone/Omnalink (3600 & 9600 Baud Cntrl Chan) Multikey Encryption (AES/ DES/DES-XL/DES-OFB), OTAR
400-049200-11-011-2135-2635	P-2000 Single Transceiver, Blk, Std Display, FM1: VHF (137-174 MHz), Analog & P-25 CAI, 512 Channel Trunking: SmartZone/Omnalink (3600 & 9600 Baud Cntrl Chan) Multikey Encryption (AES/ DES/DES-XL/DES-OFB), OTAR FM2: UHF (764-870 MHz), Analog & P-25 CAI,512 Channel Trunking: SmartZone/Omnalink (3600 & 9600 Baud Cntrl Chan) Multikey Encryption (AES/ DES/DES-XL/DES-OFB), OTAR
400-049200-11-012-2135-2635	P-2000 Single Transceiver, Blk, NVG Display, FM1: VHF (137-174 MHz), Analog & P-25 CAI, 512 Channel Trunking: SmartZone/Omnalink (3600 & 9600 Baud Cntrl Chan) Multikey Encryption (AES/ DES/DES-XL/DES-OFB), OTAR FM2: UHF (764-870 MHz), Analog & P-25 CAI,512 Channel Trunking: SmartZone/Omnalink (3600 & 9600 Baud Cntrl Chan) Multikey Encryption (AES/ DES/DES-XL/DES-OFB), OTAR
400-049200-11-011-2535-2535	P-2000 Single Transceiver, Blk, Std Display, FM1: UHF (380-470 MHz), Analog & P-25 CAI, 512 Channel Trunking: SmartZone/Omnalink (3600 & 9600 Baud Cntrl Chan) Multikey Encryption (AES/ DES/DES-XL/DES-OFB), OTAR FM2: UHF (380-470 MHz), Analog & P-25 CAI,512 Channel Trunking: SmartZone/Omnalink (3600 & 9600 Baud Cntrl Chan) Multikey Encryption (AES/ DES/DES-XL/DES-OFB), OTAR
400-049200-11-012-2535-2535	P-2000 Single Transceiver, Blk, NVG Display, FM1: UHF (380-470 MHz), Analog & P-25 CAI, 512 Channel Trunking: SmartZone/Omnalink (3600 & 9600 Baud Cntrl Chan) Multikey Encryption (AES/ DES/DES-XL/DES-OFB), OTAR FM2: UHF (380-470 MHz), Analog & P-25 CAI,512 Channel Trunking: SmartZone/Omnalink (3600 & 9600 Baud Cntrl Chan) Multikey Encryption (AES/ DES/DES-XL/DES-OFB), OTAR
400-049200-11-011-2535-2335	P-2000 Single Transceiver, Blk, Std Display, FM1: UHF (380-470 MHz), Analog & P-25 CAI, 512 Channel Trunking: SmartZone/Omnalink (3600 & 9600 Baud Cntrl Chan) Multikey Encryption (AES/ DES/DES-XL/DES-OFB), OTAR FM2: UHF (450-520 MHz), Analog & P-25 CAI,512 Channel Trunking: SmartZone/Omnalink (3600 & 9600 Baud Cntrl Chan) Multikey Encryption (AES/ DES/DES-XL/DES-OFB), OTAR
400-049200-11-012-2535-2335	P-2000 Single Transceiver, Blk, NVG Display, FM1: UHF (380-470 MHz), Analog & P-25 CAI, 512 Channel Trunking: SmartZone/Omnalink (3600 & 9600 Baud Cntrl Chan) Multikey Encryption (AES/ DES/DES-XL/DES-OFB), OTAR FM2: UHF (450-520 MHz), Analog & P-25 CAI,512 Channel Trunking: SmartZone/Omnalink (3600 & 9600 Baud Cntrl Chan) Multikey Encryption (AES/ DES/DES-XL/DES-OFB), OTAR

Tactical Communication Products: P-2000 Panel Mounted Transceiver Systems

Configuration Variations	Description
400-049200-11-011-2535-2635	P-2000 Single Transceiver, Blk, Std Display, FM1: UHF (380-470 MHz), Analog & P-25 CAI, 512 Channel Trunking: SmartZone/Omnalink (3600 & 9600 Baud Cntrl Chan) Multikey Encryption (AES/ DES/DES-XL/DES-OFB), OTAR FM2: UHF (764-870 MHz), Analog & P-25 CAI,512 Channel Trunking: SmartZone/Omnalink (3600 & 9600 Baud Cntrl Chan) Multikey Encryption (AES/ DES/DES-XL/DES-OFB), OTAR
400-049200-11-012-2535-2635	P-2000 Single Transceiver, Blk, NVG Display, FM1: UHF (380-470 MHz), Analog & P-25 CAI, 512 Channel Trunking: SmartZone/Omnalink (3600 & 9600 Baud Cntrl Chan) Multikey Encryption (AES/ DES/DES-XL/DES-OFB), OTAR FM2: UHF (764-870 MHz), Analog & P-25 CAI,512 Channel Trunking: SmartZone/Omnalink (3600 & 9600 Baud Cntrl Chan) Multikey Encryption (AES/ DES/DES-XL/DES-OFB), OTAR
400-049200-11-011-1300-1300	P-2000 Single Transceiver, Blk, NVG Display, FM1: UHF (450-520 MHz), Analog & P-25 CAI, Conventional Front Panel Programmable, 240 Channel FM2: UHF (450-520 MHz), Analog & P-25 CAI, Conventional Front Panel Programmable, 240 Channel
400-049200-11-012-1300-1300	P-2000 Single Transceiver, Blk, NVG Display, FM1: UHF (450-520 MHz), Analog & P-25 CAI, Conventional Front Panel Programmable, 240 Channel FM2: UHF (450-520 MHz), Analog & P-25 CAI, Conventional Front Panel Programmable, 240 Channel
400-049200-11-011-1305-1305	P-2000 Single Transceiver, Blk, NVG Display, FM1: UHF (450-520 MHz), Analog & P-25 CAI, Conventional Front Panel Programmable, 240 Channel Multikey Encryption (AES/ DES/DES-XL/DES-OFB), OTAR FM2: UHF (450-520 MHz), Analog & P-25 CAI, Conventional Front Panel Programmable, 240 Channel Multikey Encryption (AES/ DES/DES-XL/DES-OFB), OTAR
400-049200-11-012-1305-1305	P-2000 Single Transceiver, Blk, NVG Display, FM1: UHF (450-520 MHz), Analog & P-25 CAI, Conventional Front Panel Programmable, 240 Channel Multikey Encryption (AES/ DES/DES-XL/DES-OFB), OTAR FM2: UHF (450-520 MHz), Analog & P-25 CAI, Conventional Front Panel Programmable, 240 Channel Multikey Encryption (AES/ DES/DES-XL/DES-OFB), OTAR
400-049200-11-011-2330-2330	P-2000 Single Transceiver, Blk, Std Display, FM1: UHF (450-520 MHz), Analog & P-25 CAI, 512 Channel Trunking: SmartZone/Omnalink (3600 & 9600 Baud Cntrl Chan) FM2: UHF (450-520 MHz), Analog & P-25 CAI,512 Channel Trunking: SmartZone/Omnalink (3600 & 9600 Baud Cntrl Chan)
400-049200-11-012-2330-2330	P-2000 Single Transceiver, Blk, NVG Display, FM1: UHF (450-520 MHz), Analog & P-25 CAI, 512 Channel Trunking: SmartZone/Omnalink (3600 & 9600 Baud Cntrl Chan) FM2: UHF (450-520 MHz), Analog & P-25 CAI,512 Channel Trunking: SmartZone/Omnalink (3600 & 9600 Baud Cntrl Chan)
400-049200-11-011-2335-2335	P-2000 Single Transceiver, Blk, Std Display, FM1: UHF (450-520 MHz), Analog & P-25 CAI, 512 Channel Trunking: SmartZone/Omnalink (3600 & 9600 Baud Cntrl Chan) Multikey Encryption (AES/ DES/DES-XL/DES-OFB), OTAR FM2: UHF (450-520 MHz), Analog & P-25 CAI,512 Channel Trunking: SmartZone/Omnalink (3600 & 9600 Baud Cntrl Chan) Multikey Encryption (AES/ DES/DES-XL/DES-OFB), OTAR
400-049200-11-012-2335-2335	P-2000 Single Transceiver, Blk, NVG Display, FM1: UHF (450-520 MHz), Analog & P-25 CAI, 512 Channel Trunking: SmartZone/Omnalink (3600 & 9600 Baud Cntrl Chan) Multikey Encryption (AES/ DES/DES-XL/DES-OFB), OTAR FM2: UHF (450-520 MHz), Analog & P-25 CAI,512 Channel Trunking: SmartZone/Omnalink (3600 & 9600 Baud Cntrl Chan) Multikey Encryption (AES/ DES/DES-XL/DES-OFB), OTAR

Tactical Communication Products:

P-2000 Panel Mounted Transceiver Systems

Configuration Variations	Description
400-049200-11-011-2330-2630	P-2000 Single Transceiver, Blk, Std Display, FM1: UHF (450-520 MHz), Analog & P-25 CAI, 512 Channel Trunking: SmartZone/Omnalink (3600 & 9600 Baud Cntrl Chan) FM2: UHF (764-870 MHz), Analog & P-25 CAI,512 Channel Trunking: SmartZone/Omnalink (3600 & 9600 Baud Cntrl Chan)
400-049200-11-012-2330-2630	P-2000 Single Transceiver, Blk, NVG Display, FM1: UHF (450-520 MHz), Analog & P-25 CAI, 512 Channel Trunking: SmartZone/Omnalink (3600 & 9600 Baud Cntrl Chan) FM2: UHF (764-870 MHz), Analog & P-25 CAI,512 Channel Trunking: SmartZone/Omnalink (3600 & 9600 Baud Cntrl Chan)
400-049200-11-011-2335-2635	P-2000 Single Transceiver, Blk, Std Display, FM1: UHF (450-520 MHz), Analog & P-25 CAI, 512 Channel Trunking: SmartZone/Omnalink (3600 & 9600 Baud Cntrl Chan) Multikey Encryption (AES/ DES/DES-XL/DES-OFB), OTAR FM2: UHF (764-870 MHz), Analog & P-25 CAI,512 Channel Trunking: SmartZone/Omnalink (3600 & 9600 Baud Cntrl Chan) Multikey Encryption (AES/ DES/DES-XL/DES-OFB), OTAR
400-049200-11-012-2335-2635	P-2000 Single Transceiver, Blk, NVG Display, FM1: UHF (450-520 MHz), Analog & P-25 CAI, 512 Channel Trunking: SmartZone/Omnalink (3600 & 9600 Baud Cntrl Chan) Multikey Encryption (AES/ DES/DES-XL/DES-OFB), OTAR FM2: UHF (764-870 MHz), Analog & P-25 CAI,512 Channel Trunking: SmartZone/Omnalink (3600 & 9600 Baud Cntrl Chan) Multikey Encryption (AES/ DES/DES-XL/DES-OFB), OTAR
400-049200-11-011-2630-2630	P-2000 Single Transceiver, Blk, Std Display, FM1: UHF (764-870 MHz), Analog & P-25 CAI, 512 Channel Trunking: SmartZone/Omnalink (3600 & 9600 Baud Cntrl Chan) FM2: UHF (764-870 MHz), Analog & P-25 CAI,512 Channel Trunking: SmartZone/Omnalink (3600 & 9600 Baud Cntrl Chan)
400-049200-11-012-2630-2630	P-2000 Single Transceiver, Blk, NVG Display, FM1: UHF (764-870 MHz), Analog & P-25 CAI, 512 Channel Trunking: SmartZone/Omnalink (3600 & 9600 Baud Cntrl Chan) FM2: UHF (764-870 MHz), Analog & P-25 CAI,512 Channel Trunking: SmartZone/Omnalink (3600 & 9600 Baud Cntrl Chan)
400-049200-11-011-2635-2635	P-2000 Single Transceiver, Blk, Std Display, FM1: UHF (764-870 MHz), Analog & P-25 CAI, 512 Channel Trunking: SmartZone/Omnalink (3600 & 9600 Baud Cntrl Chan) Multikey Encryption (AES/ DES/DES-XL/DES-OFB), OTAR FM2: UHF (764-870 MHz), Analog & P-25 CAI,512 Channel Trunking: SmartZone/Omnalink (3600 & 9600 Baud Cntrl Chan) Multikey Encryption (AES/ DES/DES-XL/DES-OFB), OTAR
400-049200-11-012-2635-2635	P-2000 Single Transceiver, Blk, NVG Display, FM1: UHF (764-870 MHz), Analog & P-25 CAI, 512 Channel Trunking: SmartZone/Omnalink (3600 & 9600 Baud Cntrl Chan) Multikey Encryption (AES/ DES/DES-XL/DES-OFB), OTAR FM2: UHF (764-870 MHz), Analog & P-25 CAI,512 Channel Trunking: SmartZone/Omnalink (3600 & 9600 Baud Cntrl Chan) Multikey Encryption (AES/ DES/DES-XL/DES-OFB), OTAR
400-049200-11-011-0110-0000	P-2000 Single Transceiver, Blk, Std Display, FM1: VHF (137-174 MHz), P-25 CAI, SmartNet Trunking
400-049200-11-012-0110-0000	P-2000 Single Transceiver, Blk, NVG Display FM1: VHF (137-174 MHz), P-25 CAI, SmartNet Trunking
400-049200-11-011-0115-0000	P-2000 Single Transceiver, Blk, Std Display, FM1: VHF (137-174 MHz), P-25 CAI, SmartNet Trunking Multikey Encryption (AES/ DES/DES-XL/DES-OFB), OTAR
400-049200-11-012-0115-0000	P-2000 Single Transceiver, Blk, NVG Display FM1: VHF (137-174 MHz), P-25 CAI, SmartNet Trunking Multikey Encryption (AES/ DES/DES-XL/DES-OFB), OTAR
400-049200-11-011-0211-0000	P-2000 Single Transceiver, Blk, Std Display FM1: UHF (403-470 MHz), P-25 CAI, SmartNet Trunking Multikey Encryption (DES/DES-XL/DES-OFB), OTAR
400-049200-11-012-0211-0000	P-2000 Single Transceiver, Blk, NVG Display FM1: UHF (403-470 MHz), P-25 CAI, SmartNet Trunking Multikey Encryption (DES/DES-XL/DES-OFB), OTAR

Tactical Communication Products: P-2000 Panel Mounted Transceiver Systems

Configuration Variations	Description
400-049200-11-011-0310-0000	P-2000 Single Transceiver, Blk, Std Display FM1: UHF (450-520 MHz), P-25 CAI, SmartNet Trunking
400-049200-11-012-0310-0000	P-2000 Single Transceiver, Blk, NVG Display FM1: UHF (450-520 MHz), P-25 CAI, SmartNet Trunking
400-049200-11-011-0420-0000	P-2000 Single Transceiver, Blk, Std Display FM1: 800 (806-870 MHz), P-25 CAI, SmartZone Trunking
400-049200-11-012-0420-0000	P-2000 Single Transceiver, Blk, NVG Display FM1: 800 (806-870 MHz), P-25 CAI, SmartZone Trunking
400-049200-11-011-0110-0110	P-2000 Dual Transceiver, Blk, Std Display FM1: VHF (137-174 MHz), P-25 CAI, SmartNet Trunking FM2: VHF (137-174 MHz), P-25 CAI, SmartNet Trunking
400-049200-11-011-0110-0210	P-2000 Dual Transceiver, Blk, Std Display FM1: VHF (137-174 MHz), P-25 CAI, SmartNet Trunking FM2: UHF (403-470 MHz), P-25 CAI, SmartNet Trunking
400-049200-11-011-0110-0310	P-2000 Dual Transceiver, Blk, Std Display FM1: VHF (137-174 MHz), P-25 CAI, SmartNet Trunking FM2: UHF (450-520 MHz), P-25 CAI, SmartNet Trunking
400-049200-11-011-0110-0420	P-2000 Dual Transceiver, Blk, Std Display FM1: VHF (137-174 MHz), P-25 CAI, SmartNet Trunking FM2: 800 (806-870 MHz), P-25 CAI, SmartZone Trunking
400-049200-11-011-0111-0111	P-2000 Dual Transceiver, Blk, Std Display FM1: VHF (137-174 MHz), P-25 CAI, SmartNet Trunking Multikey Encryption (DES/DES-XL/DES-OFB), OTAR FM2: VHF (137-174 MHz), P-25 CAI, SmartNet Trunking Multikey Encryption (DES/DES-XL/DES-OFB), OTAR
400-049200-11-012-0111-0111	P-2000 Dual Transceiver, Blk, NVG Display FM1: VHF (137-174 MHz), P-25 CAI, SmartNet Trunking Multikey Encryption (DES/DES-XL/DES-OFB), OTAR FM2: VHF (137-174 MHz), P-25 CAI, SmartNet Trunking Multikey Encryption (DES/DES-XL/DES-OFB), OTAR
400-049200-11-011-0111-0211	P-2000 Dual Transceiver, Blk, Std Display FM1: VHF (137-174 MHz), P-25 CAI, SmartNet Trunking Multikey Encryption (DES/DES-XL/DES-OFB), OTAR FM2: UHF (403-470 MHz), P-25 CAI, SmartNet Trunking Multikey Encryption (DES/DES-XL/DES-OFB), OTAR
400-049200-11-012-0111-0211	P-2000 Dual Transceiver, Blk, NVG Display FM1: VHF (137-174 MHz), P-25 CAI, SmartNet Trunking Multikey Encryption (DES/DES-XL/DES-OFB), OTAR FM2: UHF (403-470 MHz), P-25 CAI, SmartNet Trunking Multikey Encryption (DES/DES-XL/DES-OFB), OTAR
400-049200-11-011-0115-0225	P-2000 Dual Transceiver, Blk, Std Display FM1: VHF (137-174 MHz), P-25 CAI, SmartNet Trunking Multikey Encryption (AES/DES/DES-XL/DES-OFB), OTAR FM2: UHF (403-470 MHz), P-25 CAI, SmartZone Trunking Multikey Encryption (AES/DES/DES-XL/DES-OFB), OTAR
400-049200-11-012-0115-0225	P-2000 Dual Transceiver, Blk, NVG Display FM1: VHF (137-174 MHz), P-25 CAI, SmartNet Trunking Multikey Encryption (AES/DES/DES-XL/DES-OFB), OTAR FM2: UHF (403-470 MHz), P-25 CAI, SmartZone Trunking Multikey Encryption (AES/DES/DES-XL/DES-OFB), OTAR
400-049200-11-011-0211-0421	P-2000 Dual Transceiver, Blk, Std Display FM1: VHF (403-470 MHz), P-25 CAI, SmartNet Trunking Multikey Encryption (DES/DES-XL/DES-OFB), OTAR FM2: UHF (806-870 MHz), P-25 CAI, SmartZone Trunking Multikey Encryption (DES/DES-XL/DES-OFB), OTAR
400-049200-11-012-0211-0421	P-2000 Dual Transceiver, Blk, NVG Display FM1: VHF (403-470 MHz), P-25 CAI, SmartNet Trunking Multikey Encryption (DES/DES-XL/DES-OFB), OTAR FM2: UHF (806-870 MHz), P-25 CAI, SmartZone Trunking Multikey Encryption (DES/DES-XL/DES-OFB), OTAR
400-049200-11-011-0310-0310	P-2000 Dual Transceiver, Blk, Std Display FM1: UHF (450-520 MHz), P-25 CAI, SmartNet Trunking FM2: UHF (450-520 MHz), P-25 CAI, SmartNet Trunking

Tactical Communication Products: P-2000 Panel Mounted Transceiver Systems

Configuration Variations	Description
400-049200-11-011-0310-0420	P-2000 Dual Transceiver, Blk, Std Display FM1: UHF (450-520 MHz), P-25 CAI, SmartNet Trunking FM2: 800 (806-870 MHz), P-25 CAI, SmartZone Trunking
400-049200-11-011-0420-0420	P-2000 Dual Transceiver, Blk, Std Display FM1: 800 (806-870 MHz), P-25 CAI, SmartZone Trunking FM2: 800 (806-870 MHz), P-25 CAI, SmartZone Trunking
400-049200-11-012-0420-0420	P-2000 Dual Transceiver, Blk, NVG Display FM1: 800 (806-870 MHz), P-25 CAI, SmartZone Trunking FM2: 800 (806-870 MHz), P-25 CAI, SmartZone Trunking
400-049200-11-011-0421-0421	P-2000 Dual Transceiver, Blk, Std Display FM1: 800 (806-870 MHz), P-25 CAI, SmartZone Trunking Multikey Encryption (DES/DES-XL/DES-OFB), OTAR FM2: 800 (806-870 MHz), P-25 CAI, SmartZone Trunking Multikey Encryption (DES/DES-XL/DES-OFB), OTAR
400-049200-11-012-0421-0421	P-2000 Dual Transceiver, Blk, NVG Display FM1: 800 (806-870 MHz), P-25 CAI, SmartZone Trunking Multikey Encryption (DES/DES-XL/DES-OFB), OTAR FM2: 800 (806-870 MHz), P-25 CAI, SmartZone Trunking Multikey Encryption (DES/DES-XL/DES-OFB), OTAR
400-049200-11-011-0425-0425	P-2000 Dual Transceiver, Blk, Std Display FM1: 800 (806-870 MHz), P-25 CAI, SmartZone Trunking Multikey Encryption (AES/DES/DES-XL/DES-OFB), OTAR FM2: 800 (806-870 MHz), P-25 CAI, SmartZone Trunking Multikey Encryption (AES/DES/DES-XL/DES-OFB), OTAR
400-049200-11-012-0425-0425	P-2000 Dual Transceiver, Blk, NVG Display FM1: 800 (806-870 MHz), P-25 CAI, SmartZone Trunking Multikey Encryption (AES/DES/DES-XL/DES-OFB), OTAR FM2: 800 (806-870 MHz), P-25 CAI, SmartZone Trunking Multikey Encryption (AES/DES/DES-XL/DES-OFB), OTAR

Tactical Communication Products: P-2000 Panel Mounted Transceiver Systems

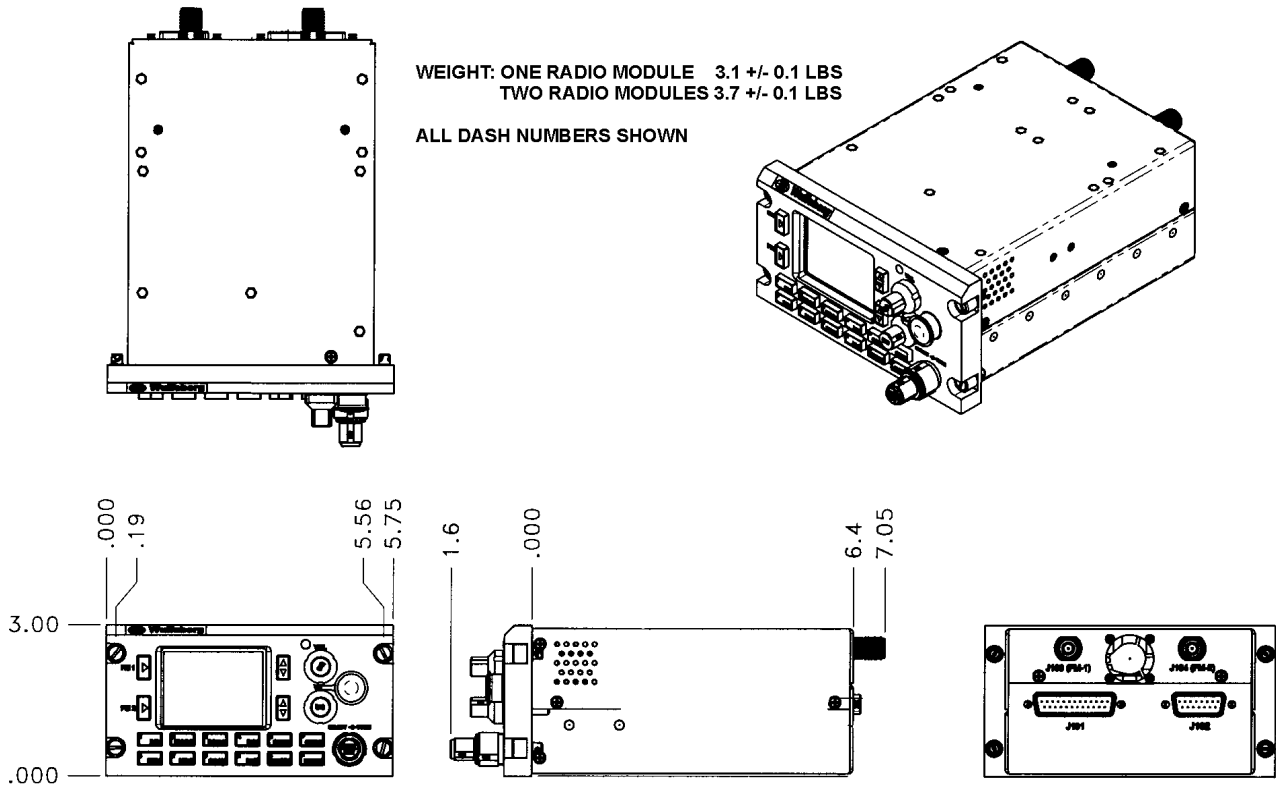


Figure 19. P-2000 Outline Drawing
Portions of Dwg No. 154-049200

Tactical Communication Products: P-2000 Panel Mounted Transceiver Systems

SAMPLE SYSTEM #1: P-2000 Single User, Single Transceiver



For applications requiring single user/single transceiver operations the P-2000 with one Internal Transceiver Module (ITM) is just the ticket. Simple, cost effective, yet power enough to get the job done. And as always, Wulfsberg products are designed for upgrading to that second ITM if more than one channel must be monitored or if the enhanced modes such as relay or simulcast are desired.

SAMPLE SYSTEM #2: P-2000 Single User, Two Transceivers



For retrofit installations where only one Mic/Headset port is available on the audio system, choose a P-2000 with dual ITM's (Internal Transceiver Modules). This will allow a single operator to monitor two channels and still have control of all the built-in enhanced functions such as relay and simulcast. This is an excellent choice when upgrading from legacy Wulfsberg products such as the C-962/RT-9600. The P-2000 is designed to be pin for pin compatible with most C-962A/S installations which means remove the C-962A, add the antennas and coax cable to the P-2000 and you're ready to fly!

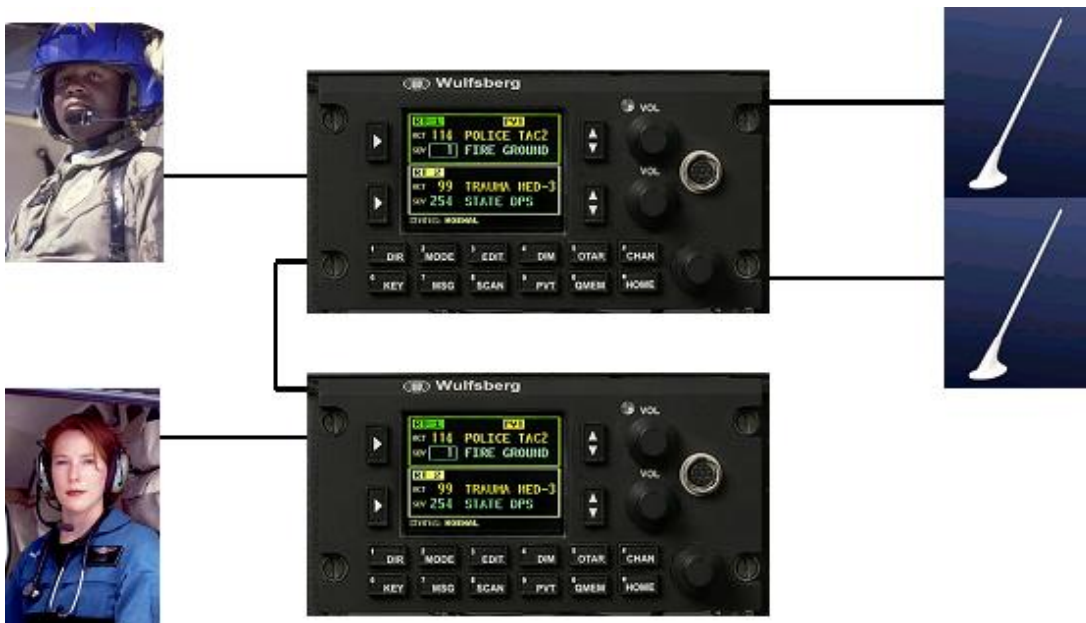
Tactical Communication Products: P-2000 Panel Mounted Transceiver Systems

SAMPLE SYSTEM #3: P-2000 Two Operators Two Transceivers



The P-2000 can also be configured for dual independent operation of each **ITM** (Internal Transceiver Module). To operate in this mode, there must be two audio panel positions (e.g. FM1 and FM2). This type of installation will allow each operator to transmit independently on their own **ITM**. They can monitor each other's channel via the audio panel selector switches. This system should be considered wherever possible for new installations (as well as upgrades) since it provides the most flexibility for multi-operator/multi-station installations.

SAMPLE SYSTEM #4: P-2000 Front/C-2000 Back, Two Transceivers



In applications where operators are located in the front and back of the aircraft, use a combination P-2000 and C-2000. Both displays show identical information and have equal capabilities. Both single and dual audio panel connections can be incorporated but it is recommended that dual positions be employed to allow each operator to use their own **ITM** (Internal Transceiver Module). The C-2000 talks to the P-2000 over a simple 2 wire bus that makes installations simple and cost effective.